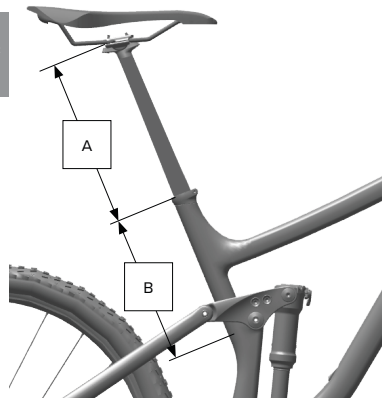


Reverb™ Stealth

Find the seatpost length that fits the bicycle frame

Frame Measurements*



Measure the Rider Seat Height (A)

Install any seatpost into your frame to the desired riding seat height. Measure from the top of the seat tube to the bottom of the saddle rails. Write the value in the box.

$$A = \boxed{}$$

Measure the Maximum Frame Insertion (B)

Install any seatpost into your frame until it is at maximum insertion. Mark the seatpost at the top of the seat tube. Remove the seatpost and measure from the mark to the bottom of the seatpost. Write the value in the box.

$$B = \boxed{}$$

*Values will vary by rider and frame size. All dimensions are measured in millimeter (mm).

Measurement Input

Write your frame measurements along with the Reverb Stealth measurements in the boxes below to determine the best seatpost length and travel for your riding style and frame fit.

Make sure the frame meets the minimum seatpost insertion.

$$B \geq \boxed{80} + \boxed{HB}$$

MIN Insertion

Example: If your maximum frame insertion (B) is 240 mm, then the minimum seatpost insertion of 80 mm plus the hose barb length will fit in this frame.

Make sure the exposed seatpost is not higher than the rider seat height.

$$A \geq \boxed{D}$$

Example: If your rider seat height (A) is 300 mm, then the minimum exposed seatpost (D) must be less than 300 mm. All seatpost lengths would work in this scenario.

What is the shortest length seatpost I can use?

$$A + \boxed{80} \leq \boxed{C}$$

MIN Insertion

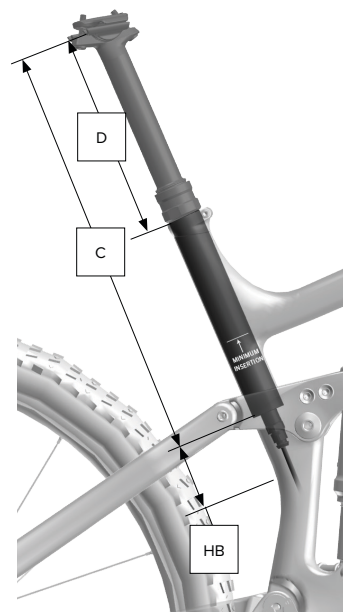
Example: If your rider seat height (A) is 300 mm plus 80 mm for minimum seatpost insertion, then your seatpost total length (C) must be longer than the total, 380 mm. Otherwise, the minimum seatpost insertion of 80 mm will not be met. A 340 mm length post would NOT work in this scenario.

What is the longest length seatpost I can use?

$$A + \boxed{B} \geq \boxed{C} + \boxed{HB}$$

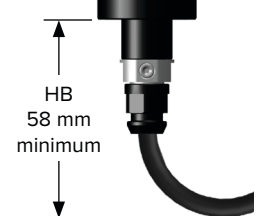
Example: If your rider seat height (A) is 300 mm and your maximum frame insertion (B) is 200 mm, the total is 500 mm. You can choose a seatpost with a total length (C) plus the HB length that is less than 500 mm. A 390 mm length post would work with a 100 mm HB (390+100=490) and a 440 mm length post would work with a 58 mm hose barb (440+58 = 498). However, a 480 mm length post would NOT work with any hose barb because the total exceeds 500 mm.

Reverb Stealth Measurements

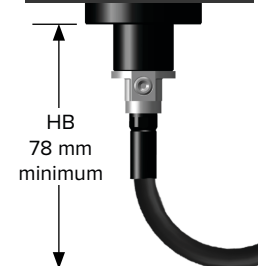


Travel	C Reverb Stealth Total Length	D Minimum Exposed Seatpost
100	340	165
125	390	190
150	440	215
170	480	235

Hose Barb (with Strain Relief)



Hose Barb (with Sleeve)



Connectamajig™

