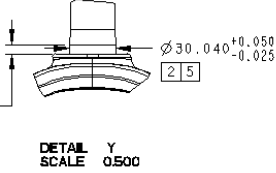
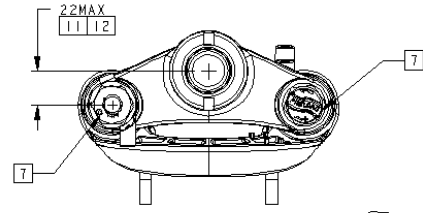
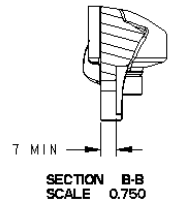
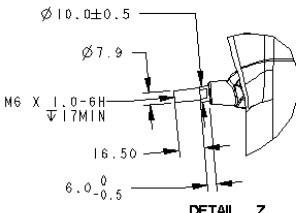
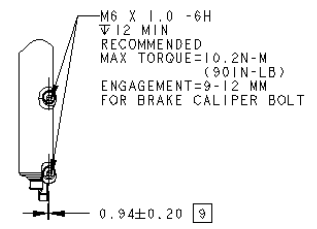
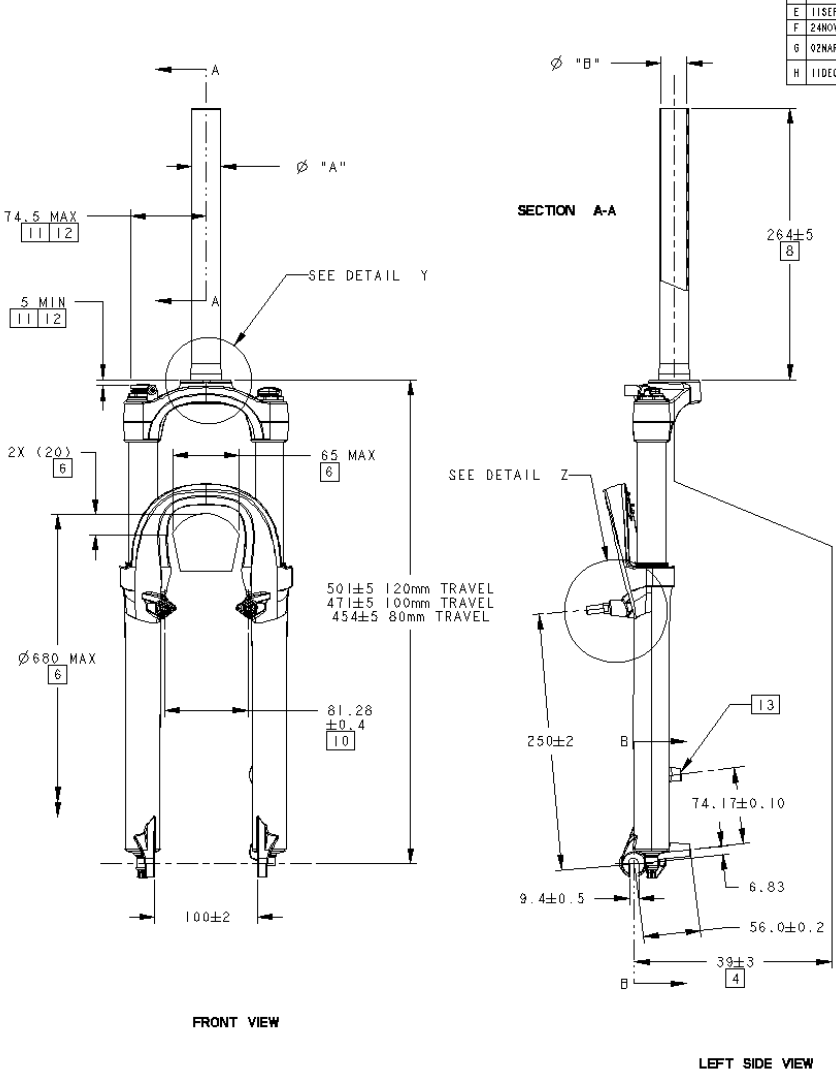


REV	DATE	CLASS	REVISION RECORD	DR	CK
C	21APR06	D	ECN 18689 ADD 6.83, CHANGE 56.0±0.2, 0.94±0.2, 74.5 MAX WAS 66	RBP	SD
D	24A8B06	D	ECN 2042B; CHANGE 56.0±0.2 (J13) WAS 58.2±0.2	LP	RBP
E	11SEP06	D	ECN 2083D; CHANGE Ø680 (Ø7) WAS Ø686	LP	FH
F	24NOV06	D	ECN 21364; ADD 501±5 (20mm TRAVEL (F10))	NJC	MAN
G	02MART	D	ECN 22424; CHANGE: 32±5 (NOTE Ø) WAS 31±5	LP	RBP
H	11DEC07	-	ECN 300183 ADD RECOMMENDED CALIPER BOLT MAX TORQUE AND ENGAGEMENT (614)	AWB	JJB



- STEER TUBE DETAILS -		
STEER TUBE TYPE	Ø A mm	Ø B mm
STEEL, THREADLESS, STANDARD	28.6 ± 0.07	25.4 ± 0.15
ALUMINUM, THREADLESS, OPTIONAL	28.6 ± 0.07	24.6 ± 0.15

- NOTES:
- DRAWING NOT TO SCALE, GENERAL SHAPE FOR DIMENSIONAL REFERENCE ONLY. SRAM RESERVES THE RIGHT TO CHANGE SPECIFICATIONS WITHOUT PRIOR NOTICE.
 - CROWN RACE TO BE MEASURED AS AVERAGE Ø; 3 DIAMETRIC POINTS MIN.
 - REFERENCE DIMENSIONS, NOTED WITH PARENTHESIS "(C)" ARE FOR CUSTOMER DESIGN INFORMATION ONLY.
 - DIMENSION IS PERPENDICULAR OFFSET FROM STEERER TUBE AXIS TO FORK DROP-OUT (FORK OFFSET DIMENSION).
 - HEADSET CUP INSIDE DIAMETER MUST NOT BE LESS THAN STEER TUBE DIAMETER +0.3mm.
 - IMPORTANT: CUSTOMER IS RESPONSIBLE FOR ENSURING MINIMUM REQUIRED TIRE CLEARANCE, DO NOT EXCEED MAXIMUM TIRE ENVELOPE INDICATED ON THIS DRAWING.
 - KNOBS SHOWN IN WORST CASE ROTATION FOR FRAME CLEARANCE.
 - 320±5 mm STEER TUBE OPTION AVAILABLE PER REQUEST.
 - DISTANCE BETWEEN INSIDE OF DROPOUT AND CENTER DISC BRAKE POST.
 - MEASURED WITH DROPOUTS CONSTRAINED AT EXACTLY 100mm APART.
 - FORK / FRAME CLEARANCE (WORST CASE)
 - 3D FILES: US-4012-293-030.IGS AND US-4012-293-030.STP AVAILABLE UPON REQUEST FOR EXACT FORK ENVELOPE.
 - POST TYPE BRAKE CALIPER MOUNT FOR 160MM ROTOR DIA., MAX ROTOR DIA. = 165MM.



SRAM Corporation Global Headquarters 1333 North Kingsbury Chicago, IL 60622 USA 312-884-0000 REV B	GEOMETRIC DIMENSIONING AND TOLERANCING TO BE INTERPRETED PER ANSI Y14.5M 1994 INDICATOR THE DIMENSION IS CRITICAL TO THE FORM, FIT OR FUNCTION OF THE PART OR PRODUCT.	ALL DIMENSIONS ARE IN MILLIMETERS UNLESS OTHERWISE SPECIFIED THIRD ANGLE PROJECTION	UNFINISHED LIMIT DIMENSIONS (mm) TYPICAL DIMENSIONS - TOLERANCES DIM. 0-16 0.15 0.30 0.45 0.60 0.75 0.90 1.00 1.50 2.00 3.00 4.00 5.00 6.00 8.00 10.00 12.00 15.00 20.00 25.00 30.00 40.00 50.00 60.00 80.00 100.00 DIM. 16-30 0.30 0.45 0.60 0.75 0.90 1.00 1.50 2.00 3.00 4.00 5.00 6.00 8.00 10.00 12.00 15.00 20.00 25.00 30.00 40.00 50.00 60.00 80.00 100.00 DIM. 30-100 0.45 0.60 0.75 0.90 1.00 1.50 2.00 3.00 4.00 5.00 6.00 8.00 10.00 12.00 15.00 20.00 25.00 30.00 40.00 50.00 60.00 80.00 100.00 DIM. 100-150 0.60 0.75 0.90 1.00 1.50 2.00 3.00 4.00 5.00 6.00 8.00 10.00 12.00 15.00 20.00 25.00 30.00 40.00 50.00 60.00 80.00 100.00 DIM. 150-250 0.75 0.90 1.00 1.50 2.00 3.00 4.00 5.00 6.00 8.00 10.00 12.00 15.00 20.00 25.00 30.00 40.00 50.00 60.00 80.00 100.00 DIM. 250-500 0.90 1.00 1.50 2.00 3.00 4.00 5.00 6.00 8.00 10.00 12.00 15.00 20.00 25.00 30.00 40.00 50.00 60.00 80.00 100.00 DIM. 500-1000 1.00 1.50 2.00 3.00 4.00 5.00 6.00 8.00 10.00 12.00 15.00 20.00 25.00 30.00 40.00 50.00 60.00 80.00 100.00	DO NOT SCALE DRAWING DRAWN BY: R. POWELL APPROVED BY: C. MICKELSON	UNFINISHED TITLE: ROCKSHOX USER SPECIFICATION, #107 BART/TURKEY REMOTE SCALE: 0.3 DATE: 10NOV06 PART: AC REV: H