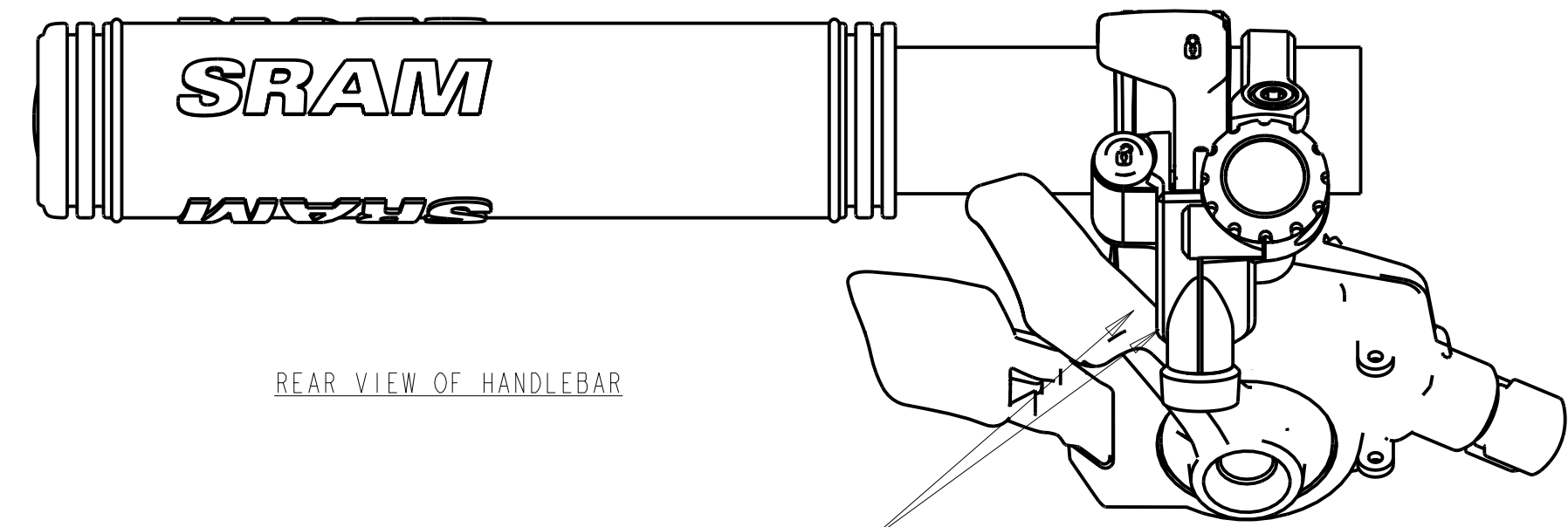
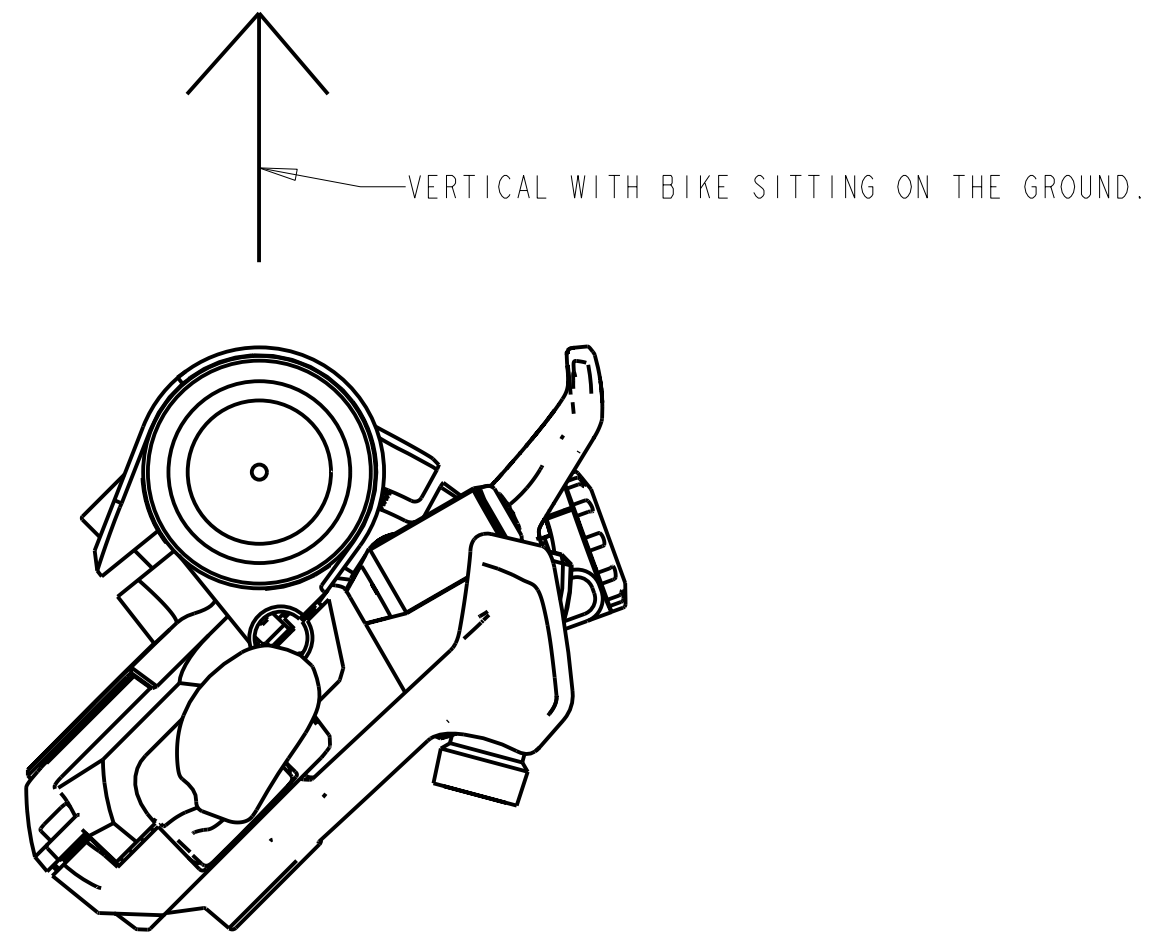
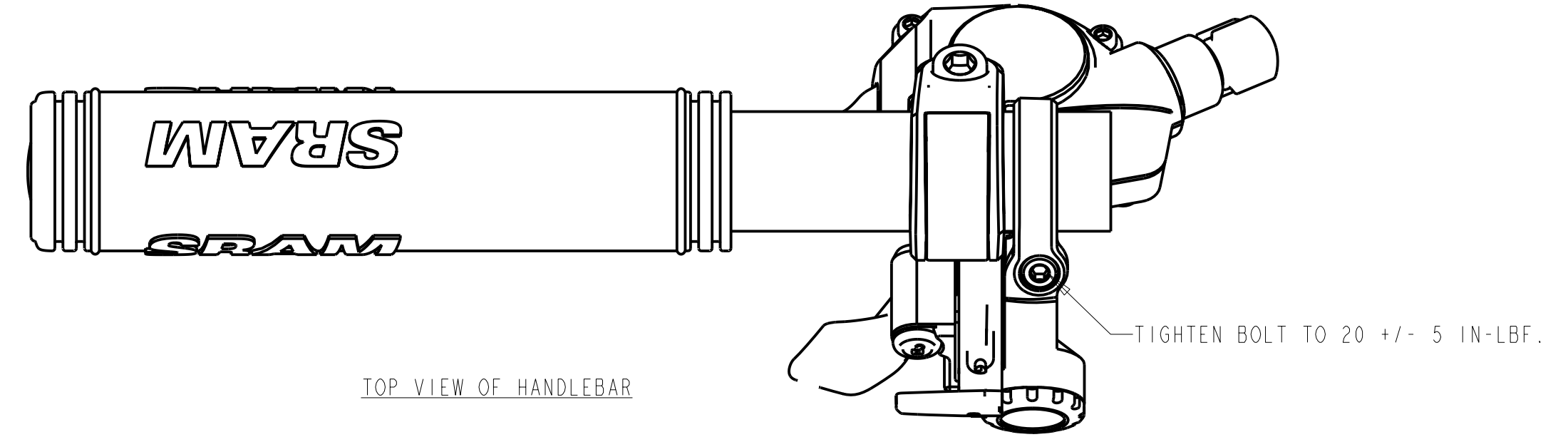
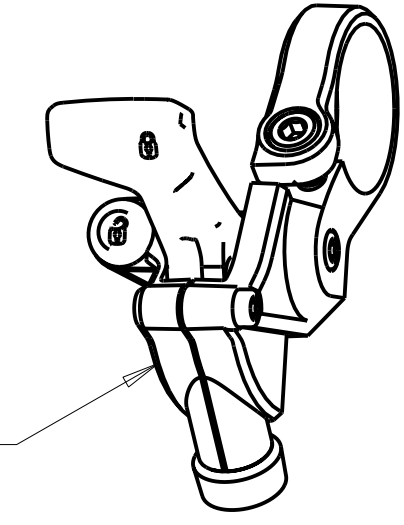
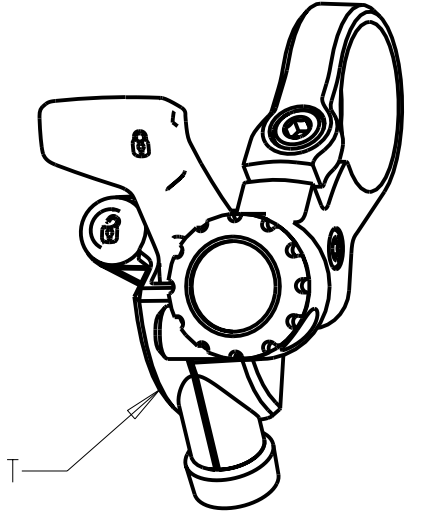
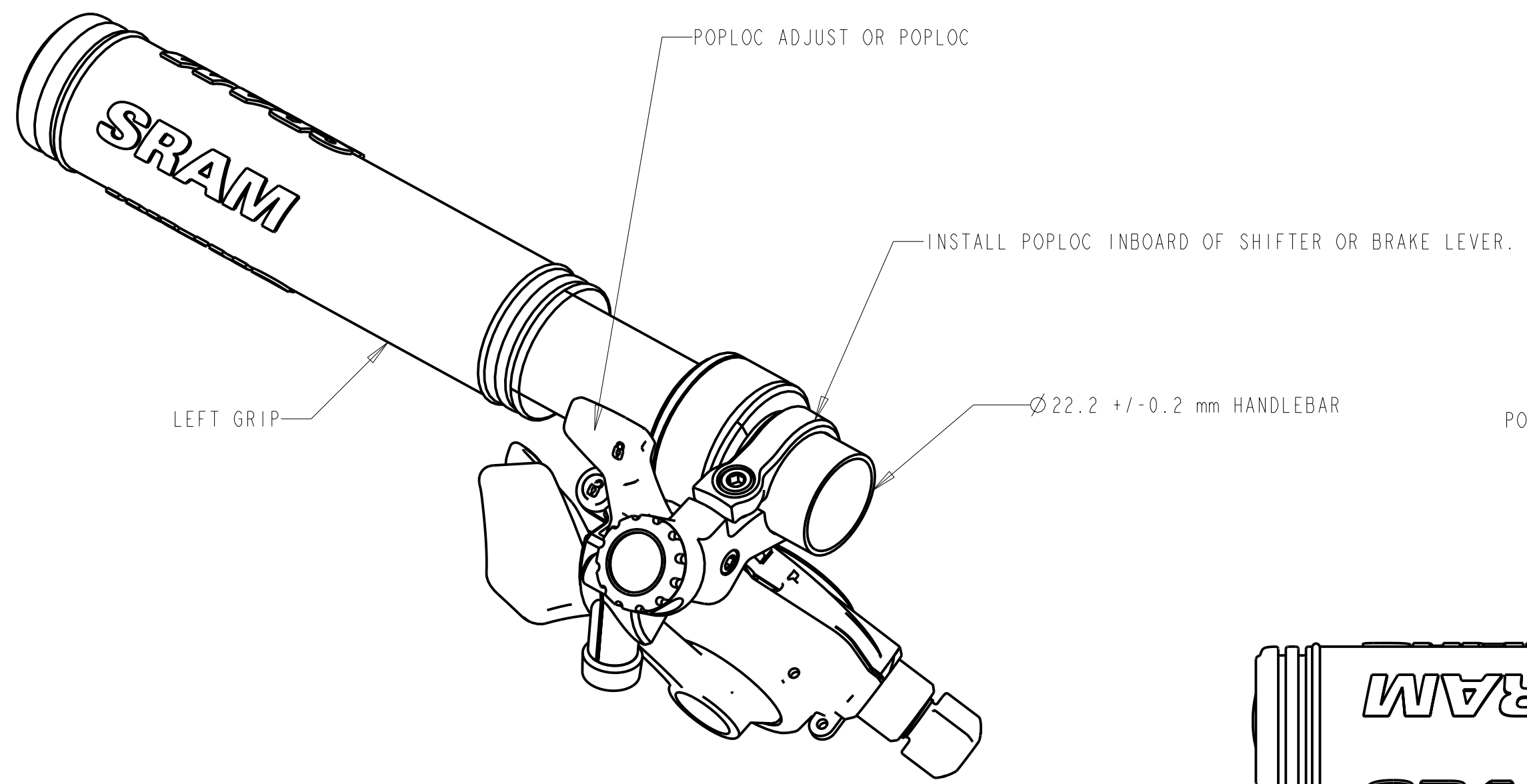


APPROVED

REV	DATE	CLASS	REVISION RECORD	DR	CK
A	04DEC03	M	ECN 11174 - RELEASE FOR MY05.	MH	CR



POSITION POPLOC SO THAT IT DOES NOT INTERFERE WITH THE OPERATION OF THE BRAKE LEVER OR THE SHIFTER.

- NOTES:
1. USE A STANDARD Ø1.1 mm STAINLESS STEEL DERAILLEUR CABLE WITH A Ø4.5 X 4.5 mm HEAD (INCLUDED).
 2. USE COILED OR LINEAR SHELLD HOUSING.

<p>SRAM Corporation Global Headquarters 1333 North Kingsbury Chicago, IL 60622 USA 312-664-8800</p>	<p>GEOMETRIC DIMENSIONING AND TOLERANCING TO BE INTERPRETED PER ANSI Y14.5M-1994 DO NOT SCALE DRAWING</p>	<p>ALL DIMENSIONS IN mm UNSPECIFIED X.XX ±0.01 TOLERANCE X.X ±0.1 X.X' ±0.5</p>	<p>THIRD ANGLE PROJECTION</p>	<p>TOOL FINISH N/A</p>	<p>MATERIAL N/A</p>	<p>TITLE ROCKSHOX USER SPECIFICATION POPLOC ADJUST AND POPLOC</p>	
						<p>CONFIDENTIAL - THIS DRAWING CONTAINS INFORMATION THAT IS PROPRIETARY TO SRAM CORPORATION AND MAY NOT BE DISCLOSED WITHOUT PERMISSION.</p>	<p>SCALE A2</p>