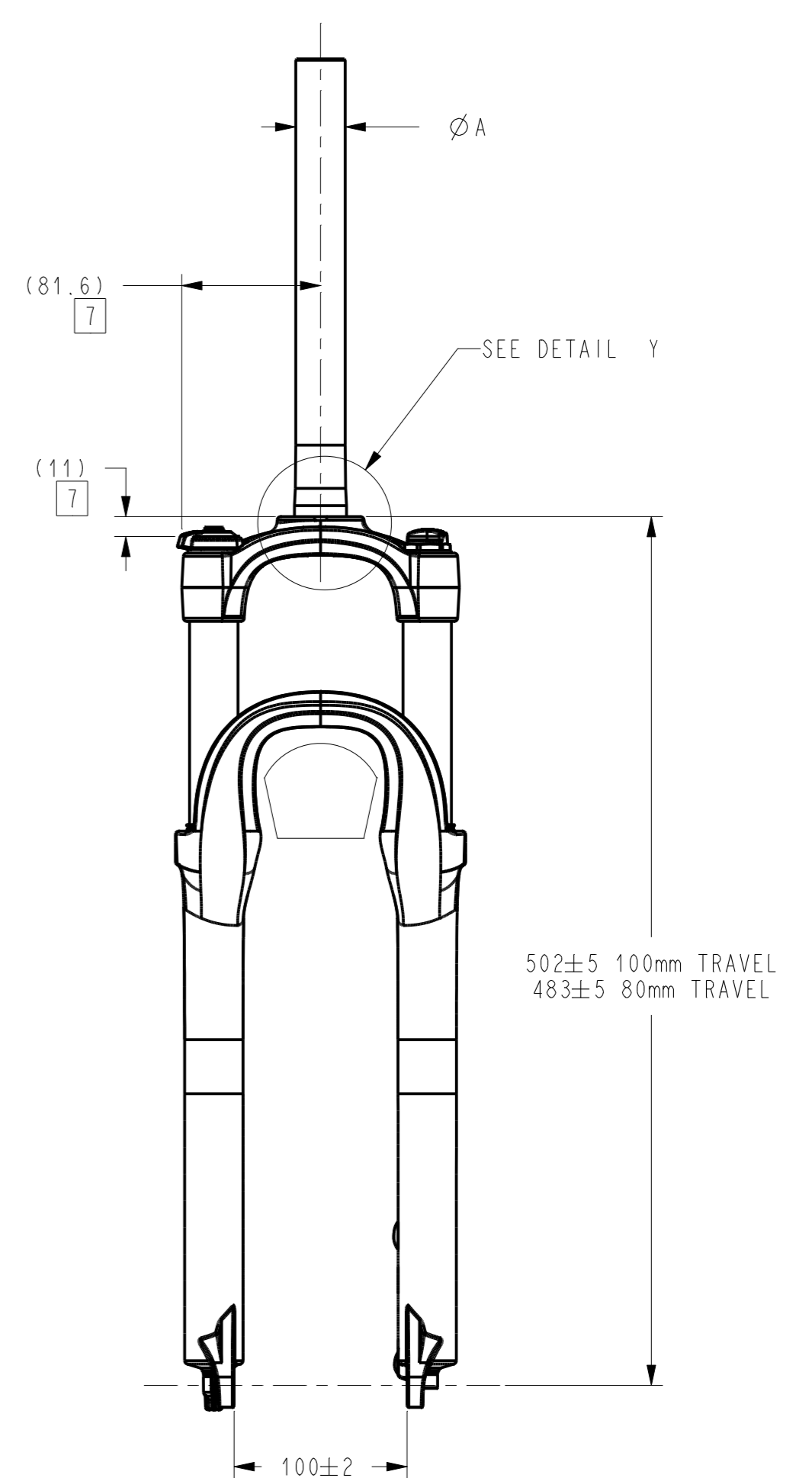
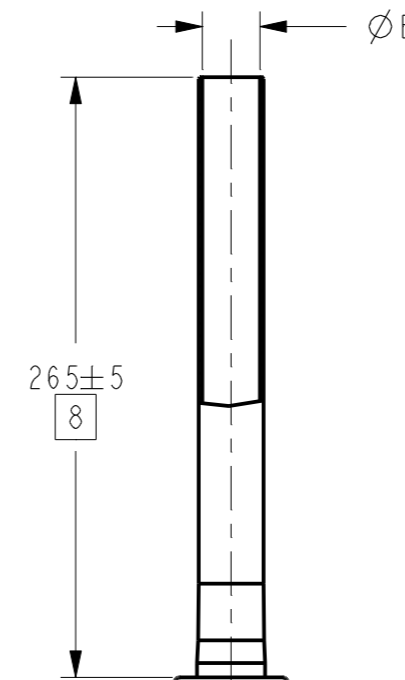
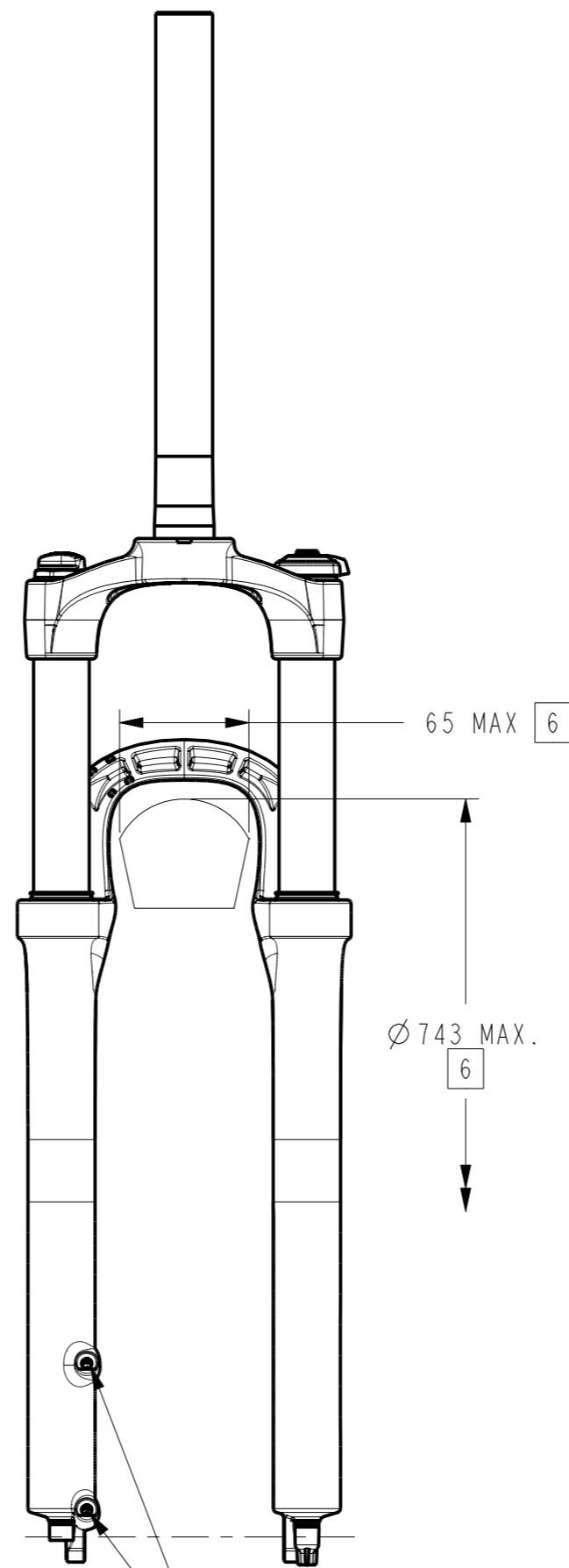


DETAIL Y
SCALE 6:5

- STEER TUBE DETAILS -		
STEER TUBE TYPE	ØA mm	ØB mm
STEEL, 1.125 in	28.6 ± 0.07	25.4 ± 0.15
ALUMINUM, 1.125 in	28.6 ± 0.07	24.6 ± 0.15

NOTES:

- DRAWING NOT TO SCALE, GENERAL SHAPE FOR DIMENSIONAL REFERENCE ONLY. SRAM RESERVES THE RIGHT TO CHANGE SPECIFICATIONS WITHOUT PRIOR NOTICE.
- CROWN RACE TO BE MEASURED AS AVERAGE Ø; 3 DIAMETRIC POINTS MIN.
- REFERENCE DIMENSIONS, NOTED WITH PARENTHESIS "()" ARE FOR CUSTOMER DESIGN INFORMATION ONLY.
- DIMENSION IS PERPENDICULAR OFFSET FROM STEERER TUBE AXIS TO FORK DROP-OUT (FORK OFFSET DIMENSION).
- HEADSET CUP INSIDE DIAMETER MUST NOT BE LESS THAN STEER TUBE DIAMETER +0.3mm.
- IMPORTANT: CUSTOMER IS RESPONSIBLE FOR ENSURING MINIMUM REQUIRED TIRE CLEARANCE. DO NOT EXCEED MAXIMUM TIRE ENVELOPE INDICATED ON THIS DRAWING.
- FORK / FRAME CLEARANCE. WORST CASE KNOBS CONFIGURATION AND POSITION SHOWN.
- 320±5 mm STEER TUBE OPTION AVAILABLE PER REQUEST.
- 3D REPRESENTATION FILES (*.IGS AND *.STP) AVAILABLE PER REQUEST.
- POST TYPE BRAKE CALIPER MOUNT FOR 160MM ROTOR DIA.



M6 X 1.0 -6H ∇12 MIN [10]
BRAKE CALIPER BOLT RECOMMENDED
MAX TORQUE=10.2N·M (90IN·LB)
ENGAGEMENT=9-12 MM

ALL DIMENSIONS ARE mm
THIRD ANGLE PROJECTION
MASS (g)
MATERIAL

GEOMETRIC DIMENSIONING AND TOLERANCING TO BE INTERPRETED PER ANSI Y14.5M 1994.
• INDICATES THE DIMENSION IS CRITICAL TO THE FORM, FIT OR FUNCTION OF THE PART OR PRODUCT.
UNTOLERANCED LENGTH DIMENSIONS (mm)
LENGTH DIMENSIONS TOLERANCE
from 0.5 up to 61 ± 0.1
over 6 up to 30 ± 0.2
over 30 up to 120 ± 0.3
over 120 up to 400 ± 0.5
UNTOLERANCED ANGLE DIMENSIONS ± 5

DESIGNED BY: NJ CHEN
FORMAT: A2 SCALE: 3:10 SHEET: 1 / 1
LIFECYCLE STATUS Under Review
DRAWING NAME / DESCRIPTION USER SPEC. ROCKSHOX, XC28 TK 29"
DRAWING NUMBER 98-4015-025-020 VERSION A.2

SRAM
CONFIDENTIAL - THIS DRAWING CONTAINS INFORMATION THAT IS PROPRIETARY TO SRAM CORPORATION AND MAY NOT BE DISCLOSED WITHOUT PERMISSION.