



www.truvativ.com

Truvativ Square XR, Square LE and Power Spline Bottom Bracket

Congratulations!

Thank you for purchasing a Truvativ bottom bracket. The following instructions should be read thoroughly before installation. Improper installation of your Truvativ bottom bracket may cause an unexpected failure of the parts that could cause you to lose control of your bicycle resulting in serious injury or death. We recommend having your parts installed by a qualified bicycle technician. Truvativ assumes no responsibility for malfunction or injury due to faulty installation.

Application Chart

Part	Road	XC	AM	DH
BB-#-(SQ-LE/XR)/PSPL-####				

Key: XC = Crosscountry AM = All-Mountain DH = Downhill

Compatibility

Spindle/BB Shell	Frame Shell Width	Chainline	E-type Der. Chainguide	Spacer Config.
Part #: BB-#-SQ-LE-108/68				
108/68	68mm	46 Dual Drive/45.5 rd. double/45.5 track	No	NO spacer
Part #: BB-#-SQ-(XR/LE)-113/(68/68E/73)				
113/68	68mm	48.5 mtb/46.5 road triple	No	ONE spacer
113/68E	68mm	48.5 mtb	Yes	NO Spacer
113/73	73mm	48.5 mtb	No	NO Spacer
Part #: BB-#-PSPL-108/68				
108/68	68mm	46 Dual Drive/44.5 rd. double/42.5 track	No	NO spacer
Part #: BB-#-PSPL-113/(68/68E/73)				
113/68	68mm	48.5 mtb/47 rd TT	No	ONE spacer
113/68E	68mm	48.5 mtb	Yes	NO spacer
113/73	73mm	48.5 mtb	No	NO spacer
Part #: BB-#-PSPL-118/(68/68E/73)				
118/68	68mm	51 mtb/46.5 road triple	No	ONE spacer
118/68E	68mm	51 mtb	Yes	NO spacer
118/73	73mm	51 mtb	No	NO spacer

Parts and Tools

Parts:

- Bottom bracket
- Left Bottom Bracket Adapter
- Spacer (not used in all applications)

Tools:

- Bottom bracket installation tool (Park™ BBT2, or equivalent)
- Torque wrench

Supplies:

- Grease

Parts Preparation

Step 1

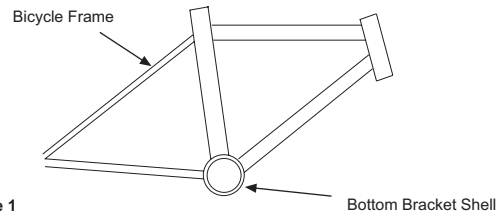


Figure 1

Assure the frame's bottom bracket shell threads are clean and undamaged, there should be no paint or dirt present. Have your bottom bracket shell chased and faced by your bike shop for best results. Check to make sure the threads of your Truvativ bottom bracket match the threads in the bottom bracket shell of your frame.

Step 2

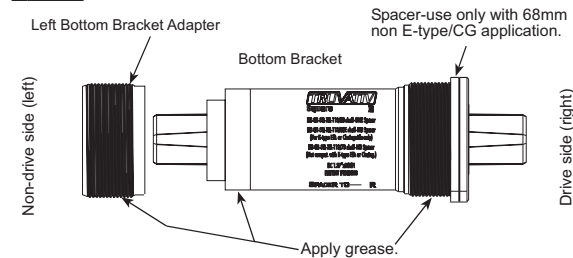


Figure 2

Prepare the bottom bracket as shown, omitting the spacer if not required for your application, refer to the Compatibility Chart. Apply grease to the surfaces shown in Figure 2.

Assembly

Step 1

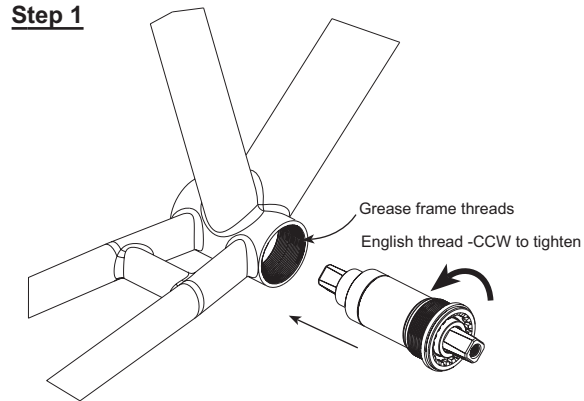


Figure 3

Step 1 (cont'd)

Thread the prepared bottom bracket into the drive side (right side) of the frame until the flange, or spacer if applicable, bottoms against the frame shell face. Torque to 34-41 N•m (25-30 ft•lbf, 346-415 kgf•cm) using a torque wrench. Refer to Figure 3.

Step 2

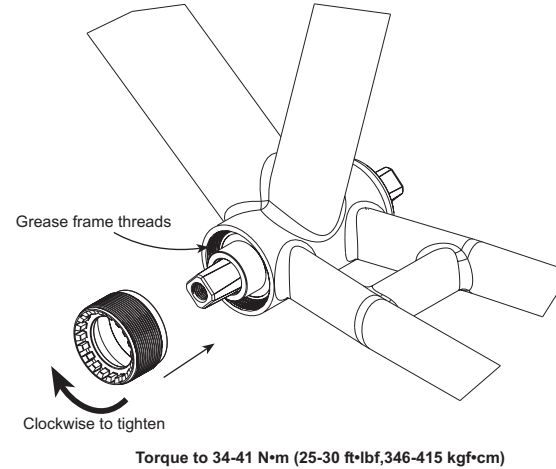


Figure 4

Thread the prepared left adapter cup into the non-drive side (left side) of the frame. The tightening direction is clockwise, refer to Figure 4. Torque the left adapter cup to 34-41 N•m (25-30 ft•lbf, 346-415 kgf•cm) using a torque wrench.

Step 3 (for square taper only)

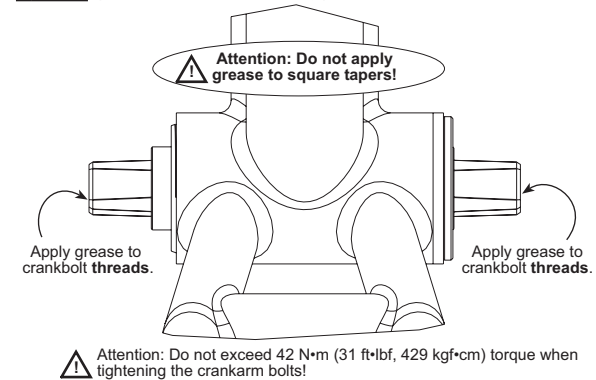


Figure 5

Apply grease to the crankbolt threads only in order to prepare the bottom bracket for crankarm installation. When installing the crankarms do not exceed 42 N•m (31 ft•lbf, 429 kgf•cm) torque when tightening. Consult your crankarm instruction manual for exact torque specifications.

Step 3 (for Power Spline only)

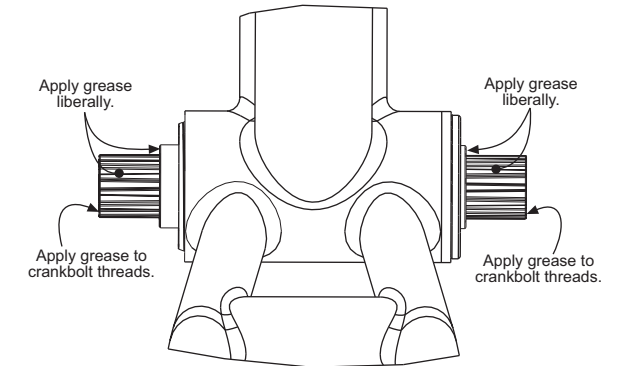


Figure 6

Apply grease liberally as shown in Figure 6, to the spline surfaces of the spindle, the faces of the crank stops, and also to the crankbolt threads in order to prepare the bottom bracket for crankarm installation. When installing the crankarms do not exceed 42 N•m (31 ft•lbf, 429 kgf•cm) torque when tightening. Consult your crankarm instruction manual for exact torque specifications.

Warranty

We at Truvativ stand behind our products and our customers. Square LE, Square XR and Power Spline bottom brackets are warranted for one year from the date of purchase against manufacturing defects and workmanship. This warranty is not valid for "abused" or neglected products, or products that are damaged by improper installation or assembly. We define an abused product as one that was subjected to use outside of its design intent. Please pay special attention to the Application Chart shown earlier in this manual to verify you are using the product for its intended purpose.

If you feel you have a warranty claim, would like to learn more about our warranty policy, or have further questions or comments please visit our web site at www.truvativ.com. You may also contact us using the information below:

Truvativ USA
Tel [1] (805) 787-0917
amsales@truvativ.com,
warranty@truvativ.com

Truvativ Germany
Tel [49] 23 02 399-280
eusales@truvativ.com

Truvativ Asia (Taiwan)
Tel [886] (42) 496 5899
taiwansales@truvativ.com