



Front Derailleur Review

Fastest front shifting ever!
Full Range shifting in big ring
Titanium/Aluminum TORX® T25 bolts
Designed for 2x10
High Mount, Low Mount, Direct Mount

HIGH MOUNT

- Top or Bottom Pull
- Clamp size options: 38.1 mm, 34.9 mm, 31.8 mm
- 15 tooth capacity
- 120 grams

LOW MOUNT

- Top or Bottom Pull
- Clamp size options: 38.1 mm, 34.9 mm, 31.8 mm*
- *34.9 clamp size with a composite adapter shim
- 15 tooth capacity
- 118 grams

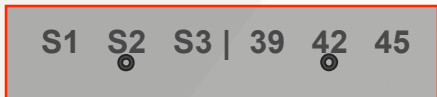
DIRECT MOUNT | **New from SRAM**

- Top or Bottom Pull
- Types: S1, S2, S3
- Options per type: 26-39, 28-42, 30-45
- 116 grams

Direct Mounts Defined. Read on!

Direct Mount FD's give frame designers freedom and flexibility. Based on specific manufacturer's frame designs, we are offering multiple XX Direct Mount types: S1, S2 and S3.

Since Direct Mount FD's are chainring specific, each type is available in the following options: 26-39, 28-42, 30-45. (For example, 28-42 rings require a 28-42 Direct Mount FD.) The type and ring option are stamped right on each XX Direct Mount:

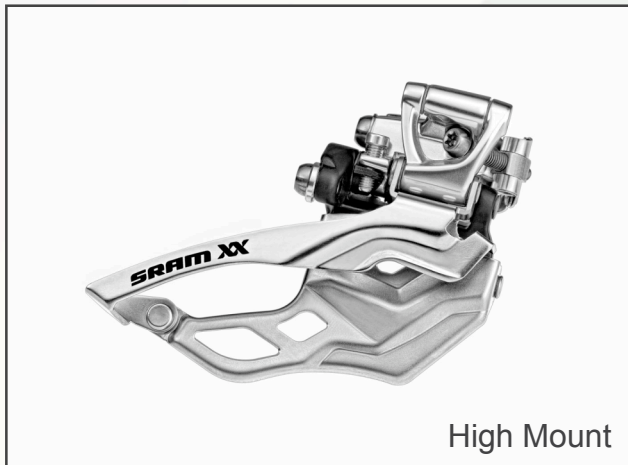


Example of stamping: S2 Type, 28-42 Option

Where will you see XX Direct Mount in 2010?

- Cannondale Flash - S2 Bottom Pull
- Specialized Epic - S1 Bottom Pull
- Merida 0.Nine - S2 Top Pull
- Scott Genius - S3 Bottom Pull
- Pivot - S3 Top Pull

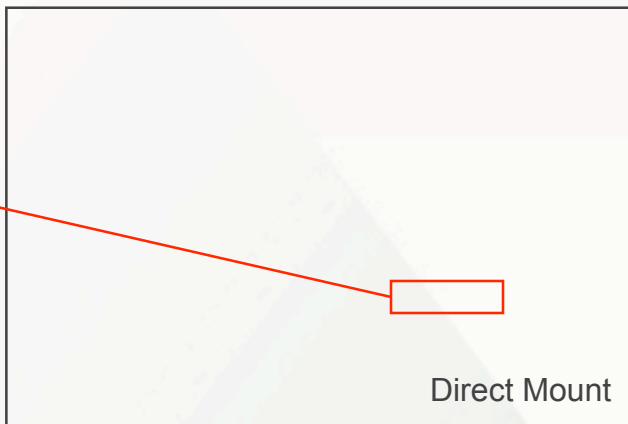
Final Note: Your frame must be **designed** for a Direct Mount FD in order to use one.



High Mount



Low Mount



Direct Mount

For more fit details, please download **FRAME COMPATIBILITY** from SRAM.com/XX

