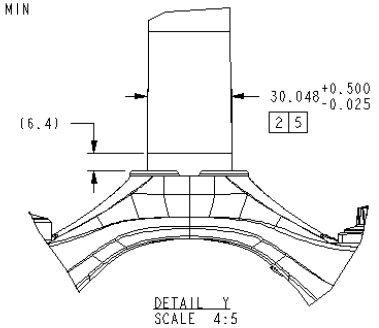
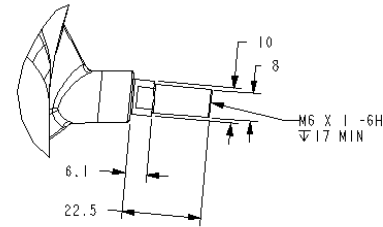


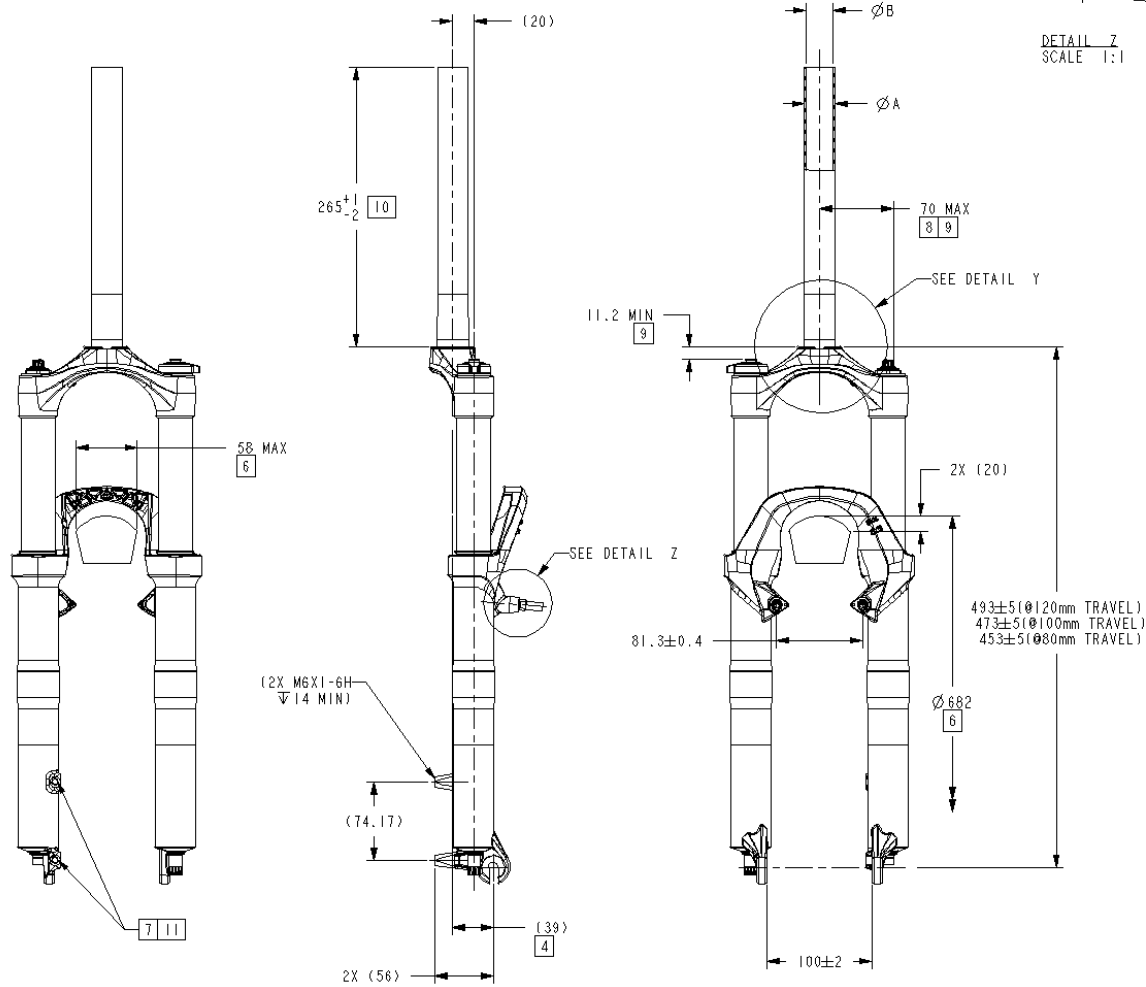
REV	REVISION RECORD
A	ECN 3004245 RELEASE
B	ECN 3005052 CHANGE: Ø682 WAS Ø686 (H9), 11.2 MIN WAS 12 MIN (E6)



-STEER TUBE DETAILS-		
STEER TUBE TYPE	ØA mm	ØB mm
ALUMINUM, THREADLESS	28.58±0.06	24.64±0.13
STEEL, THREADLESS	28.6±0.07	25.4±0.15

NOTES: UNLESS OTHERWISE SPECIFIED

- DRAWING NOT TO SCALE, GENERAL SHAPE FOR DIMENSIONAL REFERENCE ONLY. SRAM RESERVES THE RIGHT TO CHANGE SPECIFICATIONS WITHOUT PRIOR NOTICE.
- CROWN RACE TO BE MEASURED AS AVERAGE Ø; 3 DIAMETRIC POINTS MIN.
- REFERENCE DIMENSIONS, NOTED WITH PARENTHESIS "()" ARE FOR CUSTOMER DESIGN INFORMATION ONLY.
- DIMENSION IS PERPENDICULAR OFFSET FROM STEERER TUBE AXIS TO DROP OUT CENTER (FORK OFFSET DIMENSION).
- HEADSET CUP INSIDE DIAMETER MUST NOT BE LESS THAN STEERER TUBE DIAMETER + 0.3MM.
- IMPORTANT: CUSTOMER IS RESPONSIBLE FOR ENSURING MINIMUM REQUIRED TIRE CLEARANCE PER ASTM F 08.10-02S, SEE SECTION 6.1.1.2. (17JAN03 DRAFT)
- POST TYPE BRAKE CALIPER MOUNT, DIRECT FOR 160MM ROTOR DIA. MAX ROTOR DIA = 215MM.
- 3D FILES: US-4015-024-000 .IGS AND US-4015-024-000 .STP AVAILABLE UPON REQUEST FOR EXACT FORK ENVELOPE.
- FORK / FRAME CLEARANCE (WORST CASE)
- 320±5 mm STEER TUBE OPTION AVAILABLE PER REQUEST.
- MAXIMUM RECOMMENDED BRAKE CALIPER BOLT TORQUE=10.2N-M (90IN-LB).



ALL DIMENSIONS ARE mm
 THIRD ANGLE PROJECTION
 MASS (g)

ISOMETRIC DIMENSIONS AND TOLERANCES TO BE INTERPRETED PER ASME Y14.5M 1994
 A REVISION TO THE DIMENSION LISTED IN THIS DRAWING IS THE PROPERTY OF THE PART OR PRODUCT IDENTIFICATION (UNIT OR DESCRIPTION)
 LINEAR DIMENSIONS TOLERANCE
 DIMENSION RANGE TOLERANCE
 0-15 0.13
 15-30 0.25
 30-45 0.38
 45-60 0.51
 60-75 0.64
 75-90 0.76
 90-105 0.89
 105-120 1.02
 120-150 1.27
 HORIZONTAL ANGLE DIMENSIONS

DESIGNED BY: W.JHD
 FORMAT: A2
 SCALE: 1:5
 SHEET: 1 / 1

LIFECYCLE STATUS
 Under Review

ROCKSHOX USER SPEC, MY10 REC/N/TDRA QR26
 DRAWING NUMBER: US-4015-024-000
 VERSION: B.6

CONFIDENTIAL - THIS DRAWING CONTAINS INFORMATION THAT IS PROPRIETARY TO SRAM CORPORATION AND MAY NOT BE DISCLOSED WITHOUT PERMISSION.